

Underfloor Trunking Systems

Hinged Cover - Type 569

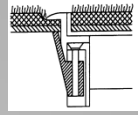
- Made out of polyamide, for flooring thickness 5,8,12 or 22 mm
- Installation opening 228 x 228 mm.
- Installation depth from 70 mm.
- For 12 apparatus type Mosaic 45 x 45 mm.
- With structural inlay made out of polyamide, 5 mm. or inox metal plate



Product Description

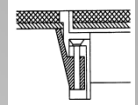
Hinged cover 569 with carpet frame or flooring edge

Carpet frame - made out of polyamide. Available for flooring thickness in 5, 8, 12, 22 mm. Outer measurement: 242 x 242 mm. The carpet protective frame is overlapping the edge of the flooring and is to protect the carpet material against fraying at the edge.

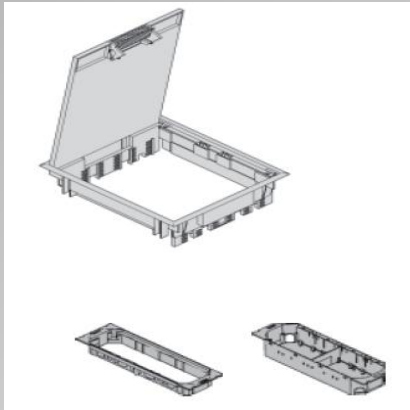


Floor box is to be installed **after laying of the flooring.**

Flooring edge - flooring carpet edge made out of polyamide. Usable for hard floorings e.g. PVC or parquet, for thickness of 5,8, 12, 22 mm. Outer measurement: 234x 234 mm.



Floor box is to be installed **before laying of the flooring.**



Installation opening 228x 228mm.

Installation depth from 70 mm.

For 3 apparatus boxes M4/45 for maximum 12 apparatus type Mosaic 45 x 45 mm

Carpet frame, Fixing set 5-15 mm

For junction boxes, screed embedded trunking system

Flooring 5 mm.

569/5/1 R

8 mm.

569/8/1 R

12 mm.

569/12/1 R

Carpet frame, Fixing set 35-50 mm

For double floors

5 mm.

569/5/3 R

8 mm.

569/8/3 R

12 mm.

569/12/3 R

Carpet frame, Fixing set Metal Claw

For cavity floors

5 mm.

569/5/4 R

8 mm.

569/8/4 R

12 mm.

569/12/4 R

Flooring edge, Fixing set 5-15 mm

For junction boxes, screed embedded trunking system

5 mm.

569/5/1 K

8 mm.

569/8/1 K

12 mm.

569/12/1 K

Flooring edge, Fixing set 35-50 mm

For cavity floors

5 mm.

569/5/3 K

8 mm.

569/8/3 K

12 mm.

569/12/3 K

Flooring edge, Fixing set Metal Claw

For double floors

5 mm.

569/5/4 K

8 mm.

569/8/4 K

12 mm.

569/12/4 K

Also available for flooring 22mm.

Standard Colors: Grey



Black



Beige



Special Colors on Request